



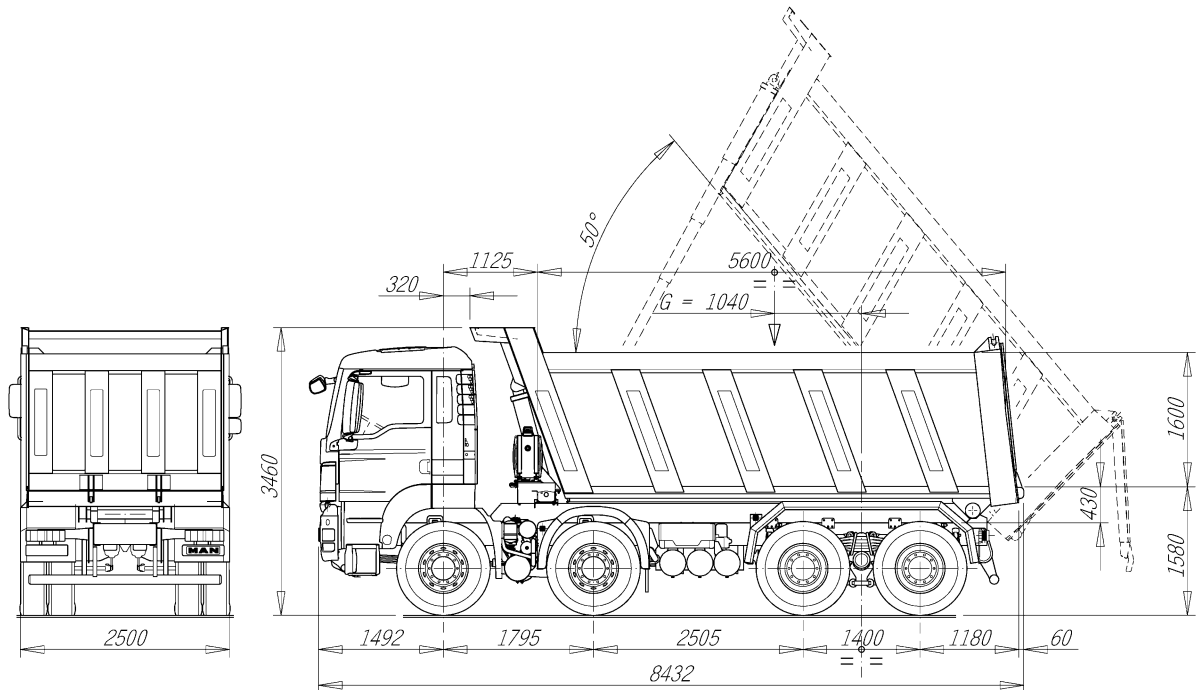
P1811276

CANTONIC
BOFFALORA-T. (MI) ITALY

REAR TIPPER
"PF SEMIROCCIA"
TGS 41.400



10630302



TECHNICAL DATA

“ CE ,,

- LIFTING** : - Frontal telescopic cylinder.
- Pneumatic, modulated body descent control.
- Safety cable at the end of lifting.
- Stabiliser bar.
- Tipping time: 30 sec
- SUBFRAME** : - Side frame in bent steel sheet.
- Anti-torsion cross-member in the back side.
- Mixed type frame fixing (front screws with springs).
- DUMP-BODY** : - Capacity, 20 cu.m.
- Inside dimensions, 5440 x 2300 mm
- Structure in bent steel sheet.
- Body floor in antiabrasion steel (HB 450), thickness 8 mm.
- Boards in antiabrasion steel (HB 400), thickness 5 mm.
- Front board equipped with cab protection roof and spare wheel holder.
- Fixed sideboards.
- Rear board with automatic unhooking device.

WEIGHTS (kg)

Dump body	5200
Net weight of the dump truck	16000
Payload	24000
G.V.W.....	40000

- Dimensions and weights are not binding and may undergo variations.