

PK 23500 PERFORMANCE

MINIMAL DEAD WEIGHT AND GREAT OUTREACH

LIFETIME EXCELLENCE



LIFETIME EXCELLENCE

PALFINGER loader cranes are convincing due to their superior life-cycle performance. They are the most economical and also the most reliable over the entire product life. From solution finding to resale.

- **Better solutions**
- **Better efficiency**
- **Better ergonomics**
- **Higher availability**
- **More reliability**
- **Better ecology**
- **Higher serviceability**
- **Higher value retention**



SAFE AND EFFICIENT

With up to six hydraulic extensions and its impressive lifting moment the PK 23500 Performance is big at handling any job. Particularly safe and comfortable to control, it features three stabiliser spreads and – as an option – supports which can be swivelled up automatically.





RELIABLE IN ANY SITUATION

10 Highlights



Functional Design

Practical and attractive

Robust plastic covers protect crane parts against dirt and damage. Better appearance and increased operational comfort – during the entire lifetime.

Ergonomic crane control

All information at a glance

The operating levers for all crane functions are arranged ergonomically on the console. This facilitates comfortable, efficient working. The control console is mounted so that it is easy to service.



High Speed Extension

For efficient assignments

The High Speed Extension speeds up the extension boom system. Crane works faster and more efficiently.

Coating technology

Top quality surface protection at a glance

The KTL coating lays the foundation for a perfect surface protection. Afterwards the components are either coated in the powder-coating facility or are finished with a two-components-topcoat. High value retention and excellent corrosion protection for the whole life of a crane.



Hose equipment for accessories

Versatile and user-friendly

With this option you can provide the oil supply to accessories. The hoses are routed in compact troughs and plastic link chains. They are therefore very well protected.

Internally routed oil ducts

Maximum protection thanks to compact design

The internally routed oil passages make it possible to have a compact design for the extension system and ensure perfect protection from damage.



Outriggers

For optimum stability

The 4.8 m (15' 9") outrigger system installed as standard ensures good stability. As an option a 6.6 m (21' 9") telescopic outrigger is available. The pipework to the support cylinders is internally routed in the outriggers, providing a high level of protection from damage at all times. On request, the outriggers can be supplied with support cylinders that swivel up hydraulically through 180°.

Central lubrication

Optimised lubrication

For all grease points on the base frame.



PAL 50*

Comfort and safety

The PALTRONIC 50, PALFINGER offers the latest control electronics for the series production crane. The custom designed electronic operates and monitors the crane and offers more efficiency in use and safety.

Radio remote control*

Dialogue with the operator

PALFINGER remote control systems offer the options of linear levers or joysticks. An LED display provides the crane operator with information about various operating conditions.

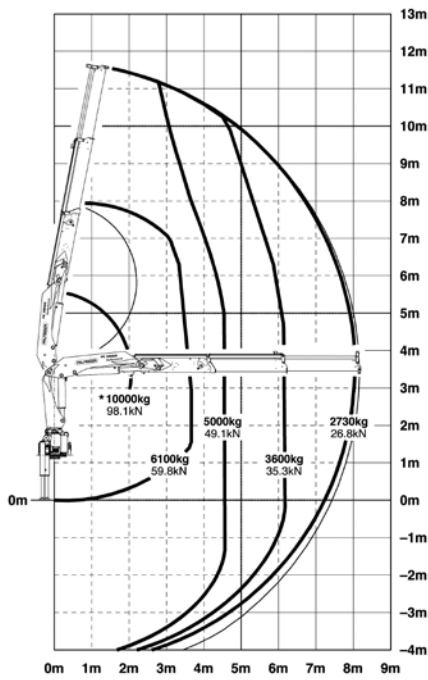


PK 23500

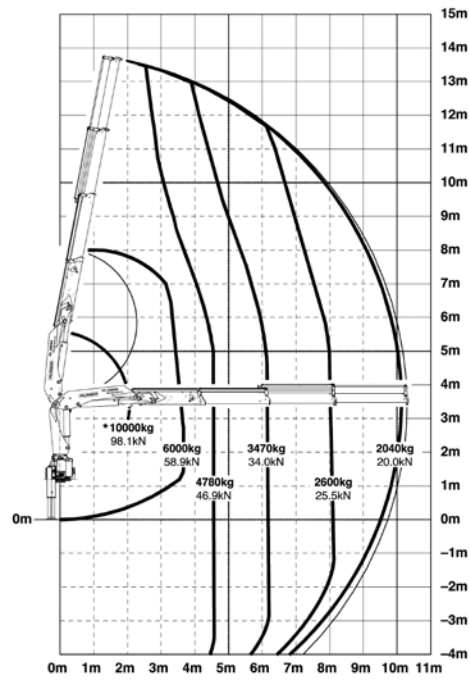
PERFORMANCE

The ideal working unit.

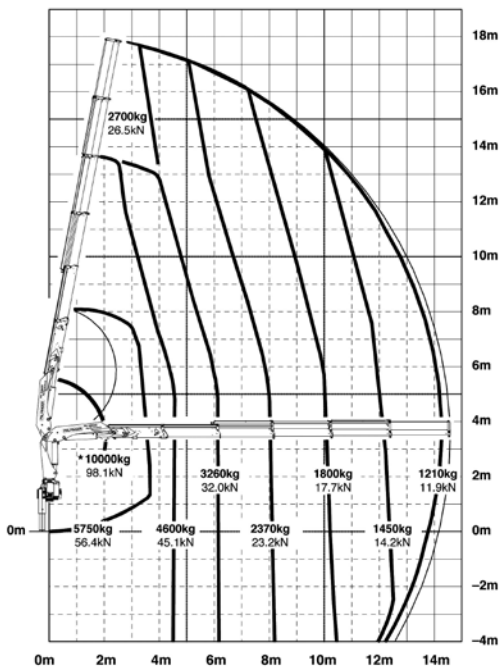
A



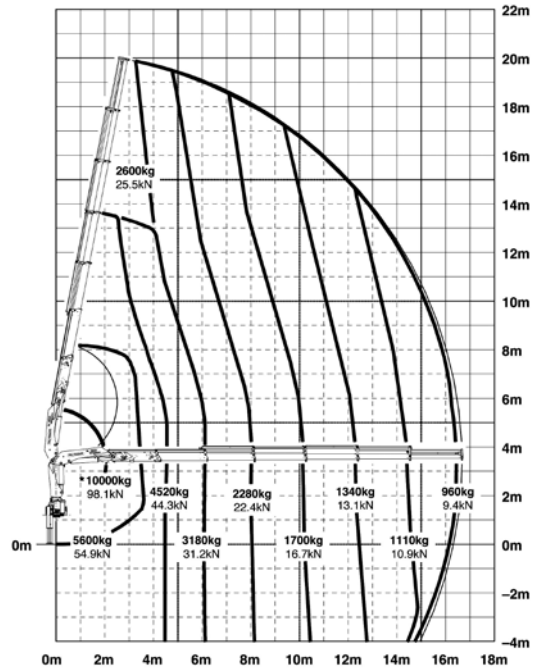
B



D



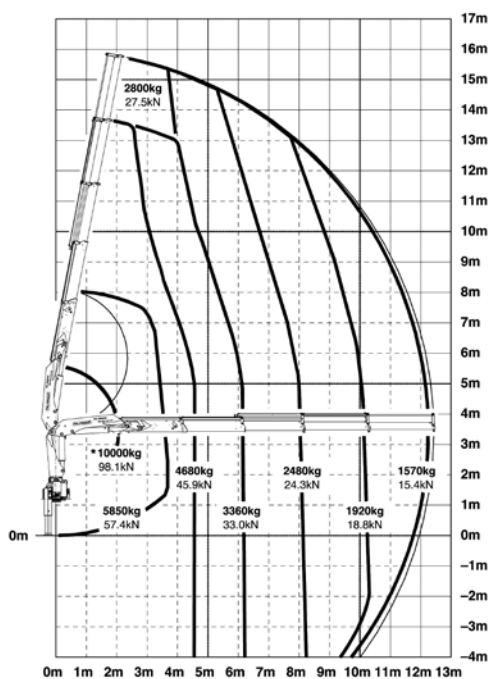
E



The outreaches stated are with a boom angle of 20° and are therefore not the maximum.

Lifting capacities

C



max.		6100 kg	13450 lbs	A
4.6 m	15' 1"	4900 kg	10800 lbs	
6.1 m	20' 0"	3600 kg	7940 lbs	
8.0 m	26' 3"	2730 kg	6020 lbs	

max.		6000 kg	13230 lbs	B
4.6 m	15' 1"	4780 kg	10540 lbs	
6.1 m	20' 0"	3470 kg	7650 lbs	
8.0 m	26' 3"	2600 kg	5730 lbs	
10.1 m	33' 2"	2040 kg	4500 lbs	
12.4 m*	40' 8"	1600 kg	3530 lbs	
14.6 m*	47' 11"	1310 kg	2890 lbs	
16.7 m*	54' 9"	1000 kg	2200 lbs	

max.		5850 kg	12900 lbs	C
4.6 m	15' 1"	4680 kg	10320 lbs	
6.1 m	20' 0"	3360 kg	7410 lbs	
8.0 m	26' 3"	2480 kg	5470 lbs	
10.1 m	33' 2"	1920 kg	4230 lbs	
12.3 m	40' 4"	1570 kg	3460 lbs	
14.5 m*	47' 7"	1280 kg	2820 lbs	
16.7 m*	54' 9"	1000 kg	2200 lbs	
18.7 m*	61' 4"	620 kg	1370 lbs	

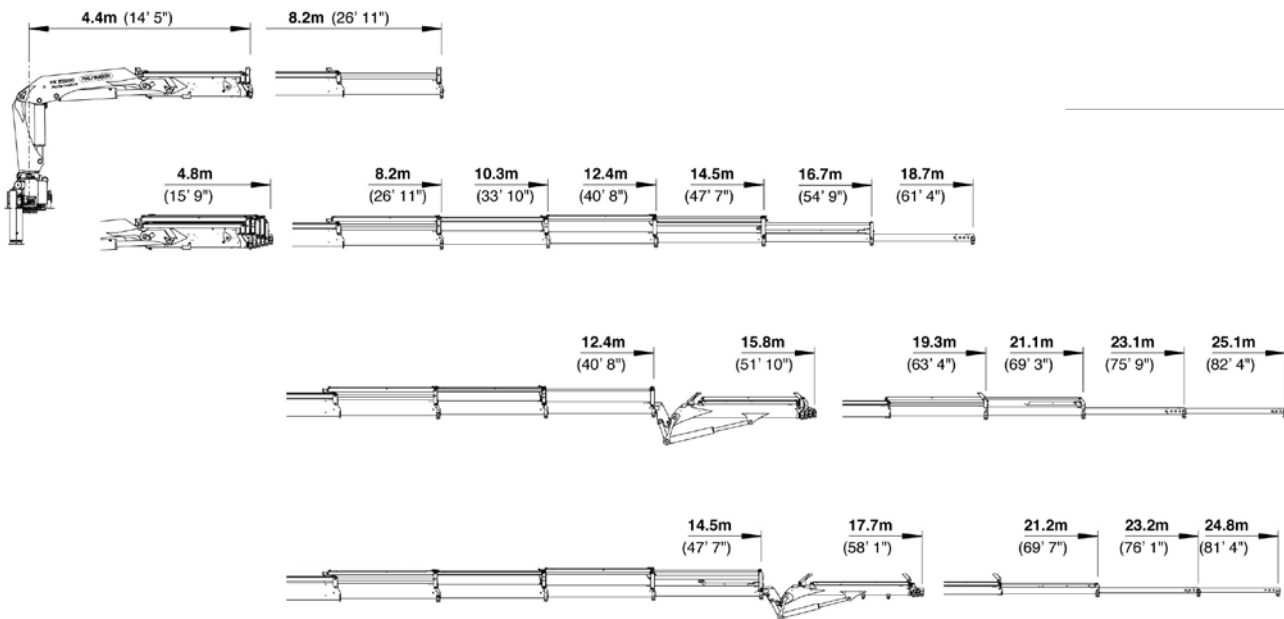
max.		5750 kg	12680 lbs	D
4.6 m	15' 1"	4590 kg	10120 lbs	
6.1 m	20' 0"	3260 kg	7190 lbs	
8.0 m	26' 3"	2370 kg	5220 lbs	
10.1 m	33' 2"	1800 kg	3970 lbs	
12.3 m	40' 4"	1450 kg	3200 lbs	
14.4 m	47' 3"	1210 kg	2670 lbs	
16.6 m*	54' 6"	1000 kg	2200 lbs	
18.6 m*	61' 0"	620 kg	1370 lbs	

max.		5600 kg	12350 lbs	E
4.6 m	15' 1"	4520 kg	9960 lbs	
6.1 m	20' 0"	3180 kg	7010 lbs	
8.0 m	26' 3"	2280 kg	5030 lbs	
10.1 m	33' 2"	1700 kg	3750 lbs	
12.3 m	40' 4"	1340 kg	2950 lbs	
14.4 m	47' 3"	1110 kg	2450 lbs	
16.5 m	54' 2"	960 kg	2120 lbs	
18.5 m*	60' 8"	620 kg	1370 lbs	

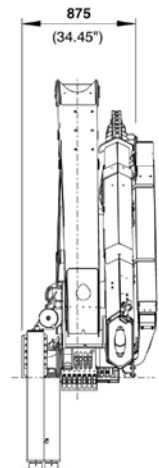
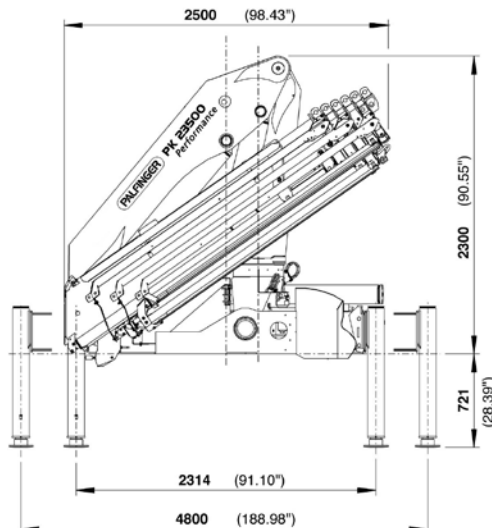
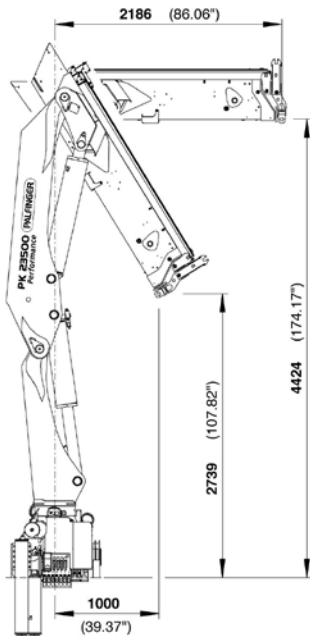
*mechanical extension

PERFECT DIMENSIONS

EXTENSION BOOM VARIATIONS



DIMENSIONS



Technical specifications

EN 12999 H1-B3

PK 23500

Max. lifting moment	23.0 mt/226.0 kNm	166630 ft.lbs
Max. lifting capacity	10000 kg/98.1 kN	22050 lbs
Max. hydraulic outreach	16.7 m	54' 9"
Max. manual outreach	18.8 m	61' 8"
Max. outreach (with fly-jib)	25.1 m	82' 4"
Slewing angle	400°	

PK 23500D PJ 040A

Slewing torque	2.8 mt/27.0 kNm	19910 ft.lbs
Outreach	8.2 m	26' 11"
Stabilizer spread standard	4.8 m	15' 9"
Stabilizer spread max	6.6 m	21' 9"
Fitting space required	0.88 m	2' 11"
Width folded	2.5 m	8' 2"

PK 23500C PJ 060B

Max. operating pressure	300 bar	4350 psi
Recommended pump capacity	from 50 l/min to 75 l/min	13.2 US gal./min 19.8 US gal./min
with RC- and LS-system	from 65 l/min to 80 l/min	17.2 US gal./min 21.1 US gal./min
Dead weight standard crane	2346 kg	5170 lbs